

PEFS Series *Rapid Shutdown (DC24V)*



High Craftsmanship and Standards



Shutdown while ambient temperature is over 85°C



Slim size match module perfectly



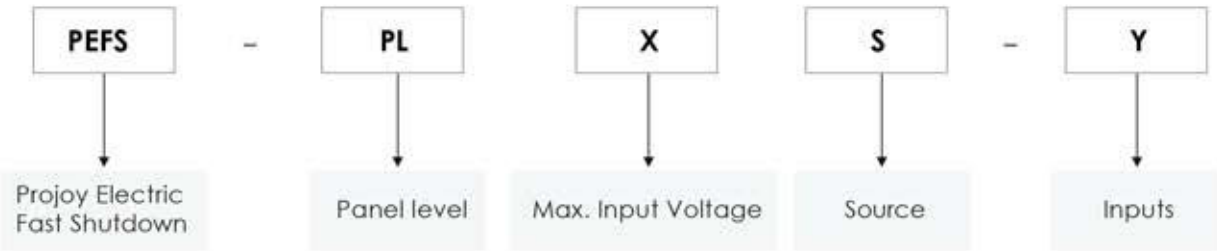
Flame retardant rating: UL94-V0



Protection Level: IP68



Select Code



Rapid Shutdown

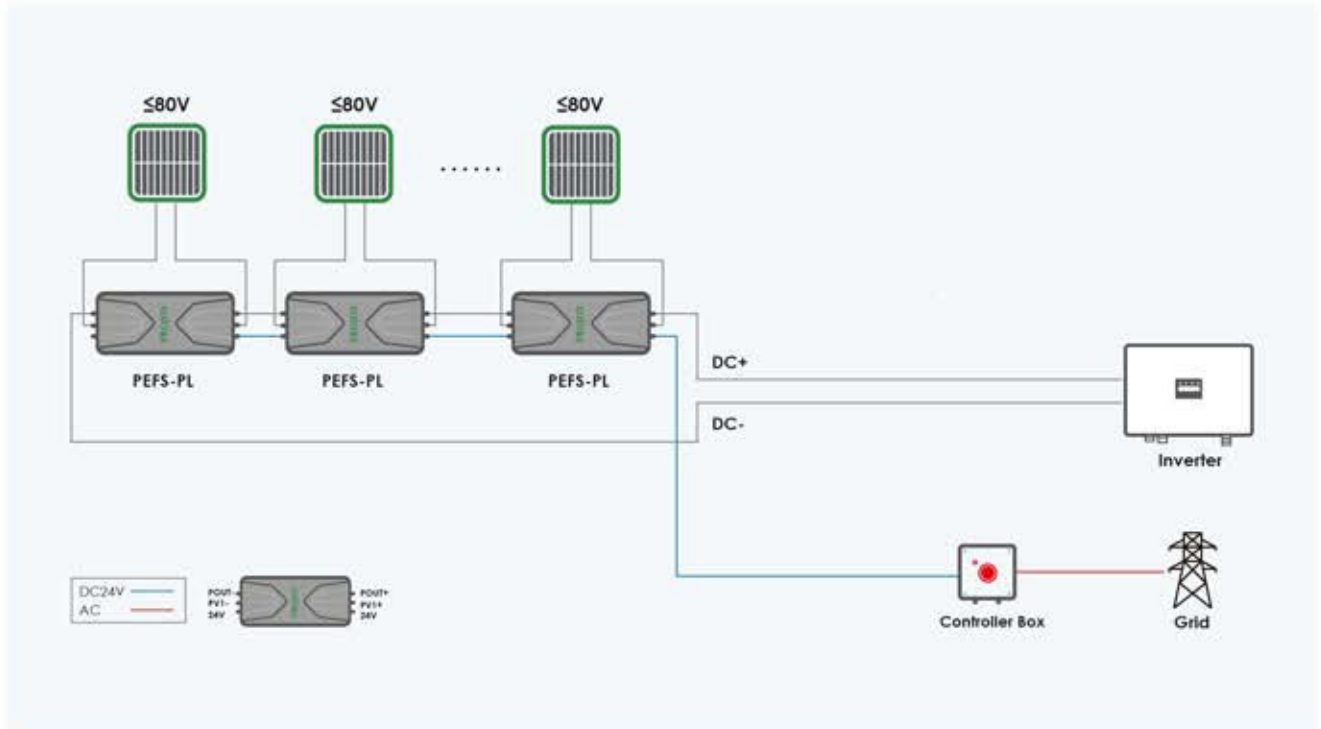
Type	PEFS-PL80S-11	PEFS-PL80S-21	PEFS-PL120S-11	PEFS-PL120S-21
Number of PV Inputs	1	2	1	2
Number of Modules Recommend	1	2	2	4
Maximum Allowed Input Voltage	80V	80V	120V	120V
Maximum Allowed Input Current	20A			
Maximum Output Voltage	80V	160V	120V	240V
System Voltage	1000V / 1500V			
Control Compliance	24VDC Power Line			
Ambient Operating Temperature	-30° C to +80° C			
Protection Temperature	85° C			
IP Level	IP68			
Fire-proof Level	UL94-V0			
Humidity	0%–90%			
Connector	MC4			
Warranty	25 years			
Size	120*51.9*22.4mm	120*59*22.4mm	120*51.9*22.4mm	120*59*22.4mm
String Cable Length	1200+120+1200mm	1800+120+1800mm	1800+120+1800mm	1800+120+1800mm
Standard Compliance	NEC2017/2020 (690.12); UL1741; IEC/EN62109; IEC/EN61000			

Controller Box Specification

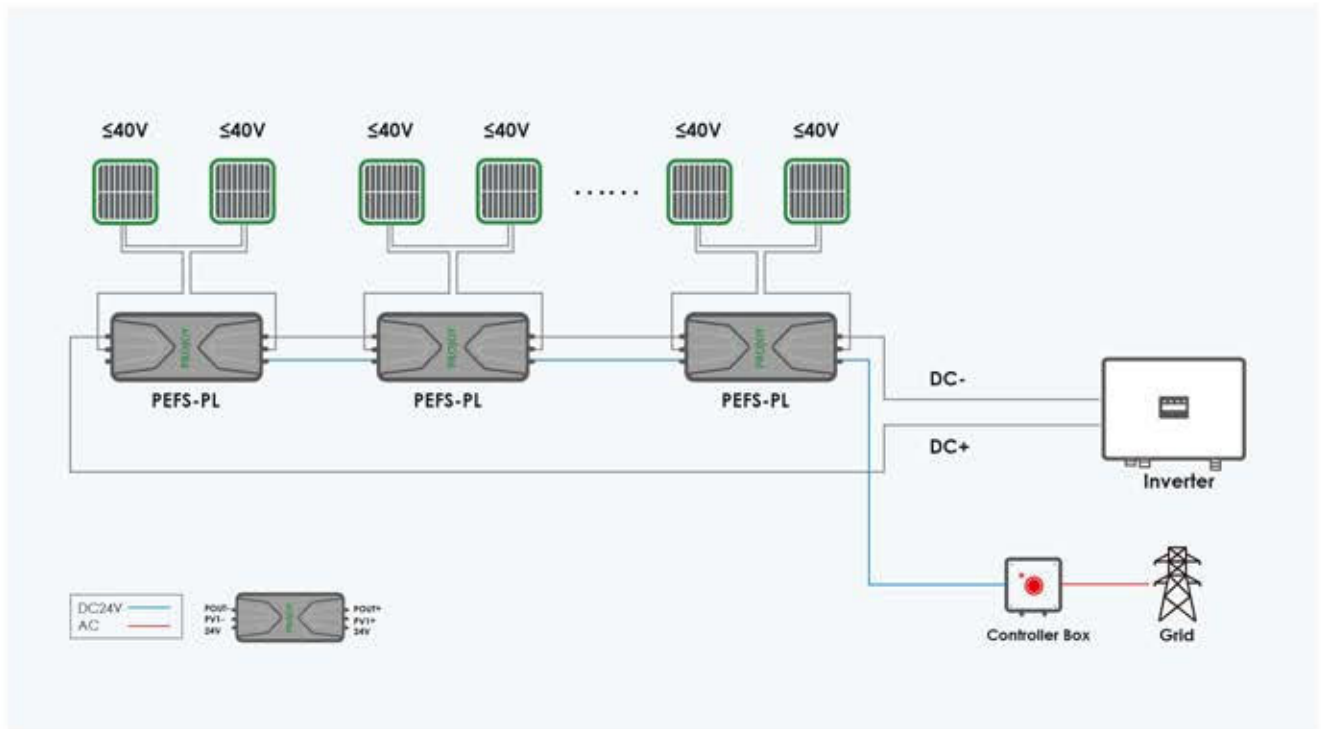
Type	
Operating AC Voltage	230V AC
DC Inputs	4 Strings
Max. DC Voltage	1000V/1500V
Max. DC Current	20A
Dimensions	151*121*102.4 mm
Ambient Operating Temperature	-30°C – +55°C
Ingress Protection	IP65

PEFS-PL80S-11

When the open-circuit voltage of PV panel is below 80V.

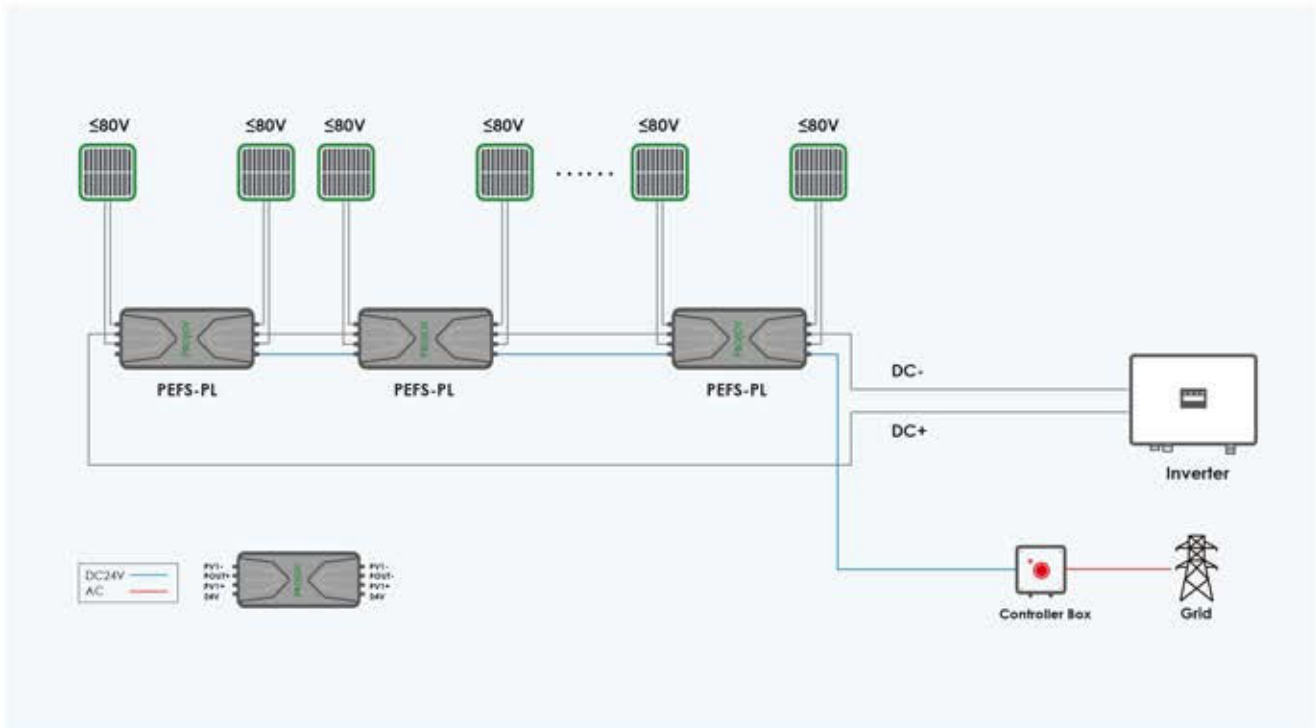


And When the open-circuit voltage of PV panel is below 40V.

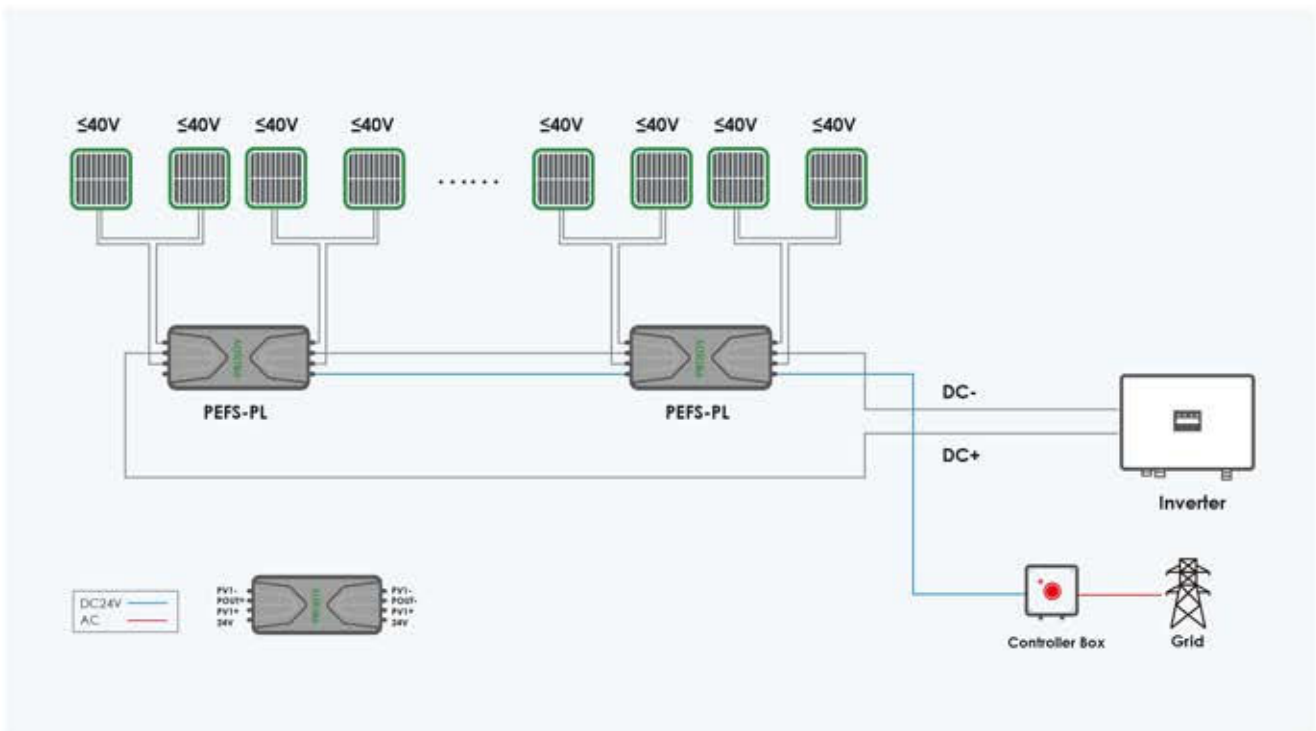


PEFS-PL80S-21

When the open-circuit voltage of PV panel is below 80V.

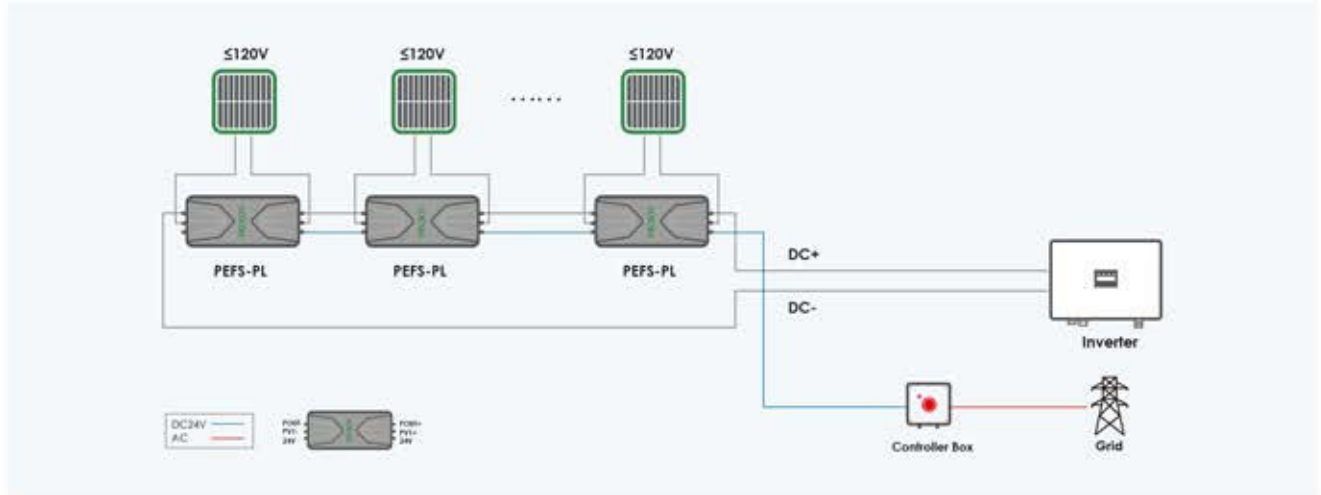


And When the open-circuit voltage of PV panel is below 40V.

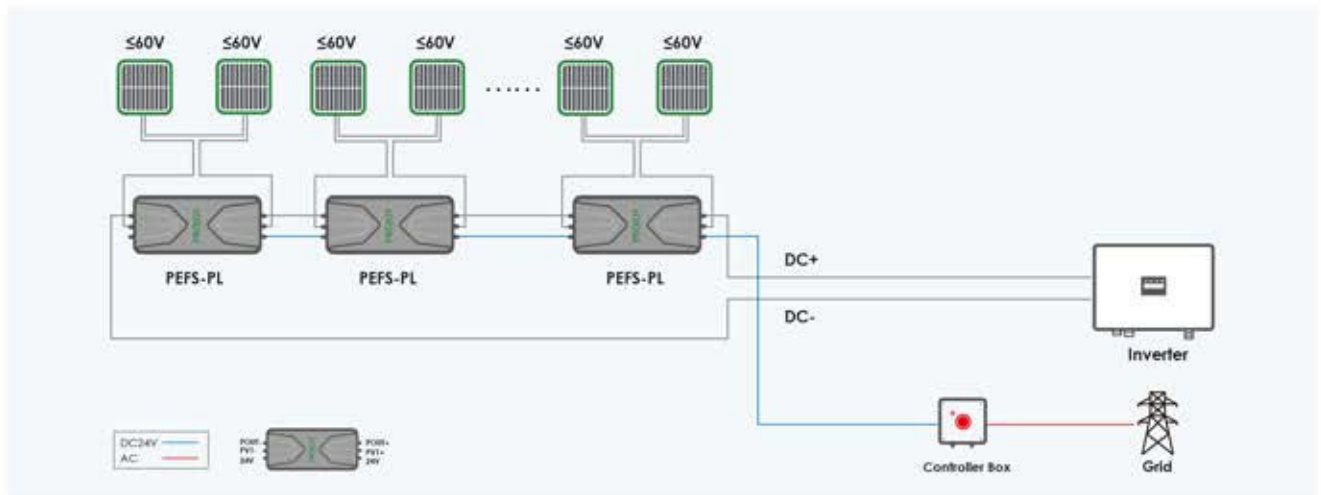


PEFS-PL120S-11

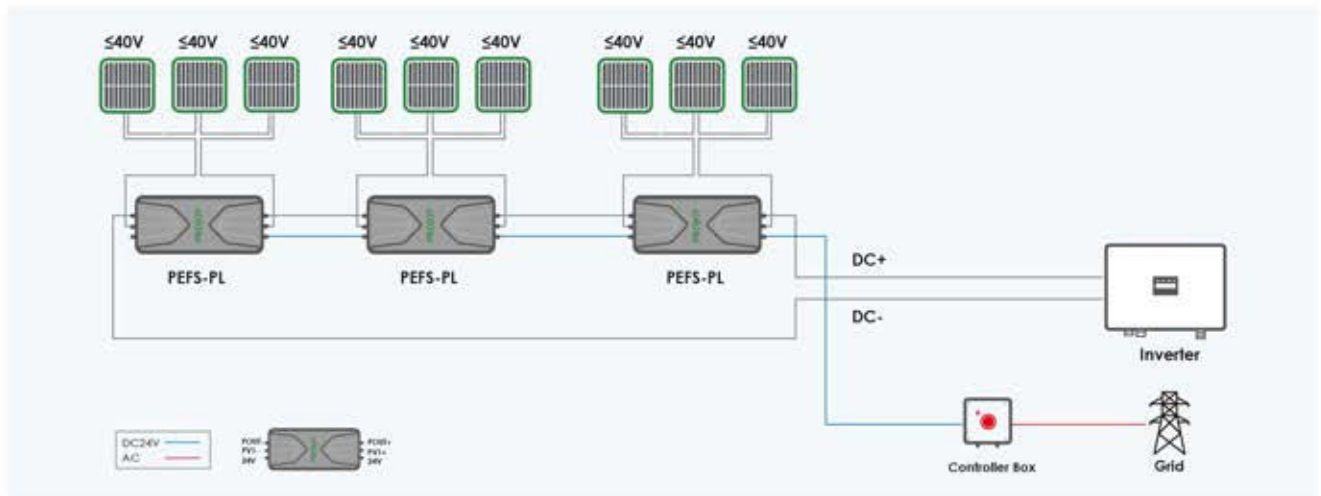
When the open-circuit voltage of PV panel is below 120V.



And When the open-circuit voltage of PV panel is below 60V.

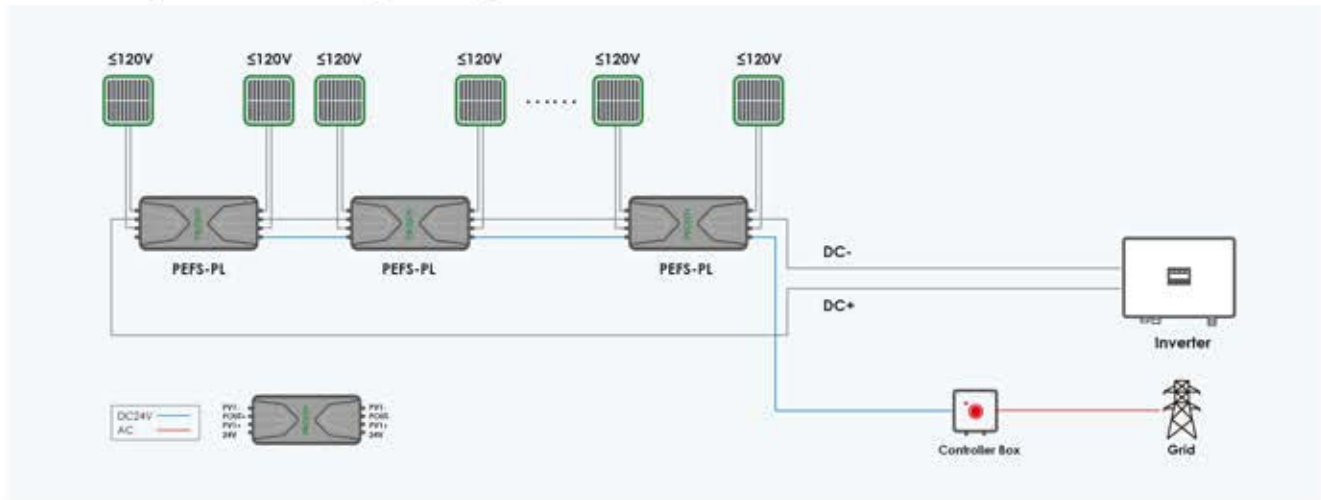


And When the open-circuit voltage of PV panel is below 40V.

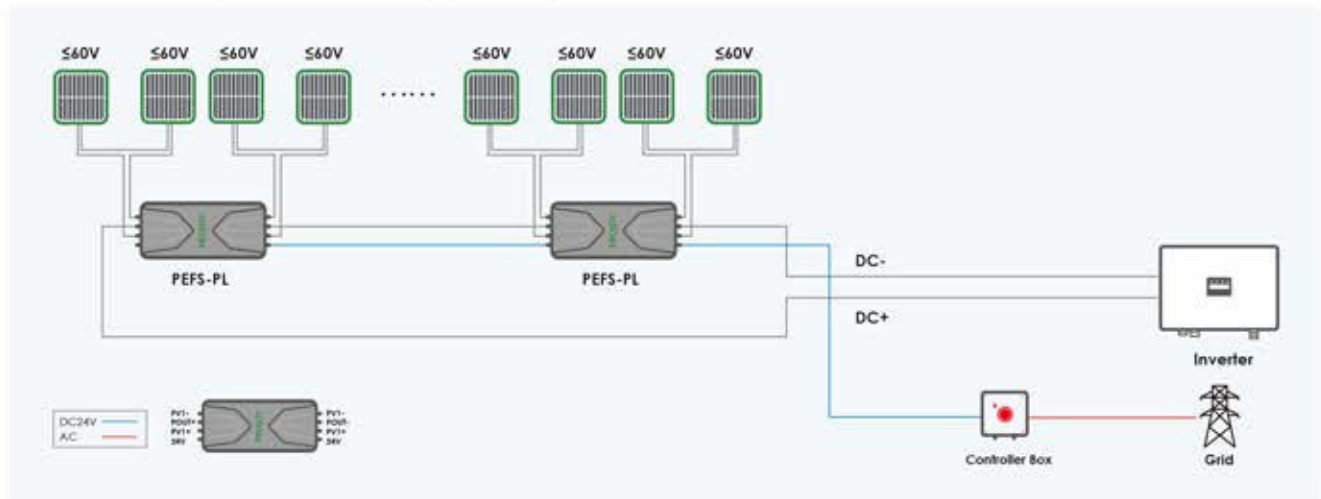


PEFS-PL120S-21

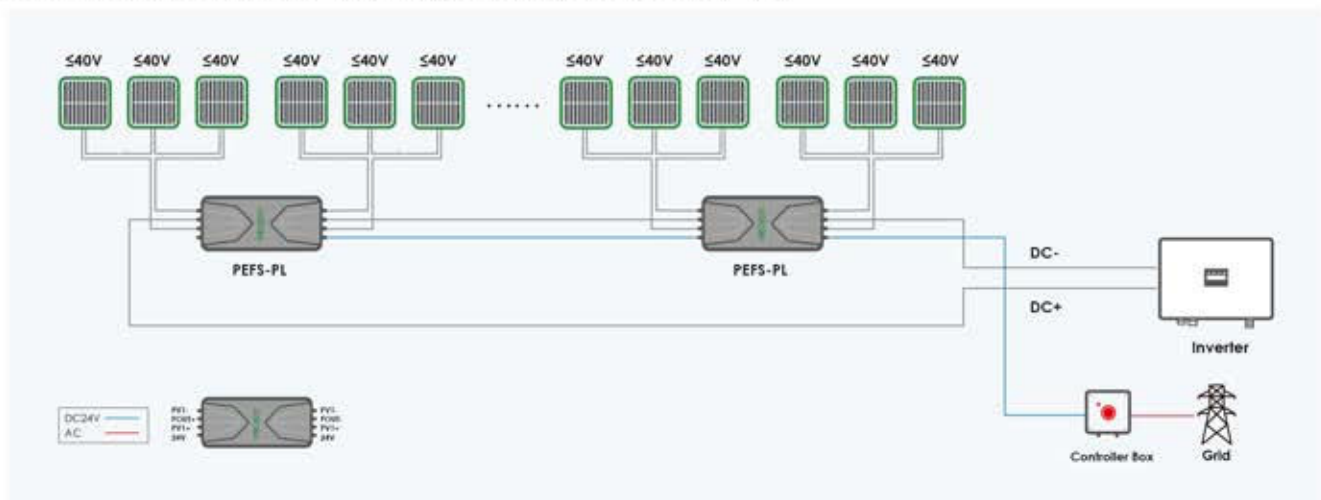
When the open-circuit voltage of PV panel is below 120V.



And When the open-circuit voltage of PV panel is below 60V.



And When the open-circuit voltage of PV panel is below 40V.



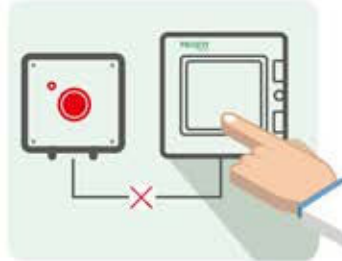
Shutdown Mode

Automatic Shutdown



Automatically shutdown the DC power of panels when detecting temperature of the area is higher than 85°C.

Manual Shutdown



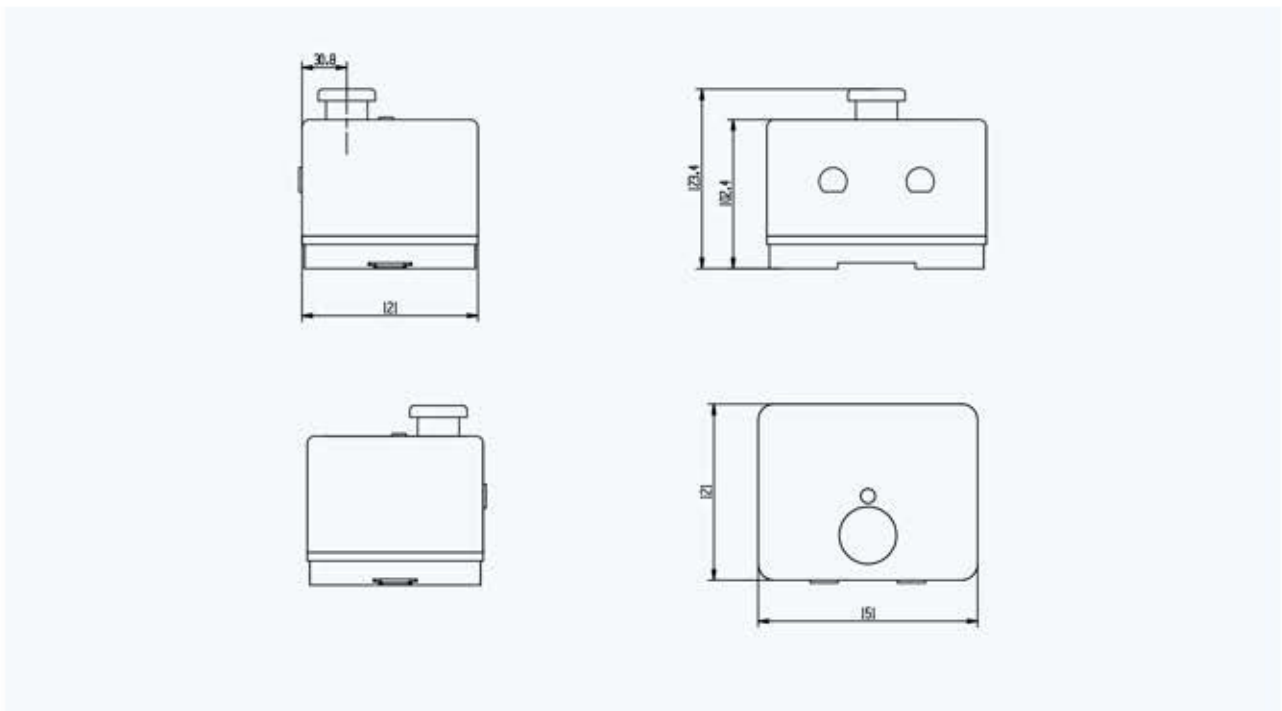
In an emergency, firefighters or homeowners can manually turn off the AC power of the distribution box.

Manual Shutdown



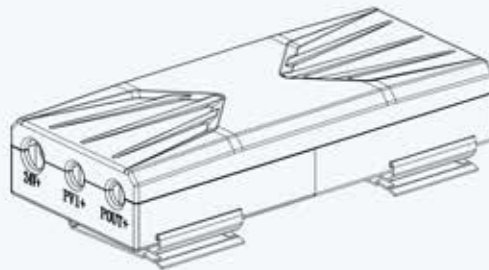
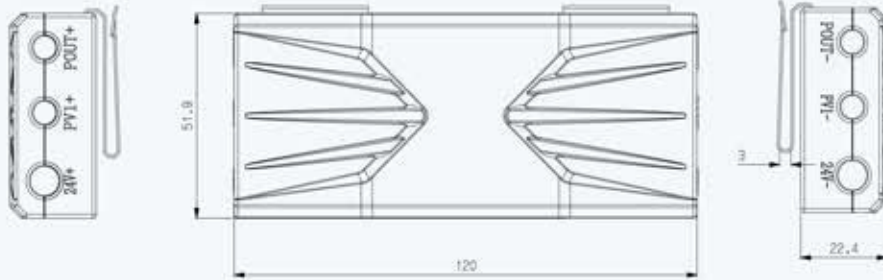
In an emergency, it can be shut down manually through the Panel Level Rapid Shutdown Controller Box.

Controller Box Dimensions



Dimension

PEFS-PL80S-11
PEFS-PL120S-11



PEFS-PL80S-21
PEFS-PL120S-21

